

# CitoPress-5

## Instruction Manual

**Original Instructions**



**CE**

Doc. no.: 15777025-01\_B\_en  
Date of release: 2024.11.07

---

**Copyright**

The contents of this manual are the property of Struers ApS. Reproduction of any part of this manual without the written permission of Struers ApS is not allowed.

All rights reserved. © Struers ApS.

---

# Table of Contents

<b>1 About this manual</b> .....	<b>6</b>
<b>2 Safety</b> .....	<b>6</b>
2.1 Intended use - CitoPress-5 .....	6
2.2 CitoPress-5 safety precautions .....	6
2.2.1 Read carefully before use .....	6
2.3 Safety messages .....	8
2.4 Safety messages in this manual .....	9
<b>3 Get started - introduction</b> .....	<b>10</b>
3.1 Device description .....	10
3.2 Overview .....	11
3.3 Struers knowledge .....	12
3.3.1 Application Guide for Hot Mounting .....	12
3.4 Accessories and consumables .....	13
<b>4 Installation</b> .....	<b>13</b>
4.1 Unpack the machine .....	13
4.2 Check the packing list .....	14
4.3 Lift the machine .....	14
4.4 Location .....	14
4.4.1 Recommended workbench dimensions .....	15
4.5 Power supply .....	15
4.5.1 Connection to the machine .....	16
4.5.2 Single-phase supply .....	16
4.6 Open the ventilation valve .....	16
4.7 Water supply .....	17
4.7.1 Connect the cooling water inlet .....	17
4.7.2 Connect the cooling water outlet .....	18
4.8 Noise .....	19
4.9 Install the lower ram .....	19
4.10 Install the mounting unit .....	21
4.11 Replace the lower ram .....	25
4.12 Remove the mounting unit .....	27
4.13 Replace the mounting unit .....	28
4.14 Remove the upper ram .....	28

---

<b>5</b>	<b>Transport and storage</b>	<b>29</b>
<b>6</b>	<b>Operate the device</b>	<b>30</b>
6.1	Navigation and control panel	30
6.2	Switch on the machine	31
6.3	Software menus	33
6.3.1	Configuration	33
<b>7</b>	<b>Basic operation</b>	<b>34</b>
7.1	Process	34
7.1.1	Use the menu Process setup	35
7.2	Mount a sample	36
7.2.1	Start the mounting process	38
7.2.2	The mounting process	38
7.2.3	Stop the mounting process	39
7.2.4	Remove the top closure	39
<b>8</b>	<b>Maintenance and service</b>	<b>40</b>
8.1	General cleaning	40
8.2	Before each mounting	40
8.2.1	Clean the rams	40
8.3	Daily	41
8.3.1	Inspection and cleaning	41
8.3.2	Lubricate the threads of the top closure	41
8.4	Weekly	42
8.4.1	Cleaning	42
8.5	Monthly	42
8.5.1	Clean under the lower ram	42
8.5.2	Check the threads	43
8.6	Annually	43
8.6.1	Check the bolts	43
8.6.2	Water couplings	43
8.6.3	Cleaning the water filter	44
8.6.4	Decalcify the cooling coil	44
<b>9</b>	<b>Spare parts</b>	<b>45</b>
<b>10</b>	<b>Service and repair</b>	<b>45</b>
10.1	The service menus	45
10.1.1	Statistics	46
10.1.2	Sensors	47
<b>11</b>	<b>Disposal</b>	<b>48</b>
<b>12</b>	<b>Troubleshooting</b>	<b>49</b>
12.1	Error messages	49

---

12.2 Acoustic signals .....	52
12.3 Machine performance .....	52
<b>13 Technical data .....</b>	<b>55</b>
13.1 Technical data .....	55
13.2 Diagrams for CitoPress-5 .....	57
13.3 Legal and regulatory information .....	61
<b>14 Manufacturer .....</b>	<b>61</b>
<b>Declaration of Conformity .....</b>	<b>63</b>

# 1 About this manual



**CAUTION**

Struers equipment must only be used in connection with and as described in the Instruction Manual supplied with the equipment.



**Note**

Read the Instruction Manual carefully before use.



**Note**

If you want to view specific information in detail, see the online version of this manual.

## 2 Safety

### 2.1 Intended use - CitoPress-5

For professional materialographic hot mounting of materials for further materialographic inspection. The machine must be operated only by skilled/trained personnel.

The machine is designed to be used only with Struers consumables specifically designed for this purpose and this type of machine.

The machine is for use in a professional working environment (e.g. a materialographic laboratory).

**Do not use the machine for:**

Hot mounting of materials other than solid materials suitable for materialographic studies.

Any type of explosive and/or flammable material, or materials that are not stable during heating or pressure.

**Model:**

CitoPress-5

### 2.2 CitoPress-5 safety precautions



#### 2.2.1 Read carefully before use

1. Ignoring this information and mishandling of the equipment can lead to severe bodily injuries and material damage.

2. The machine must be installed in compliance with local safety regulations. All functions on the machine and any connected equipment must be in working order.
3. The operator must read the safety precautions and Instruction Manual, as well as relevant sections of the manuals for any connected equipment and accessories.
4. This machine must be operated and maintained only by skilled/trained personnel.
5. The machine must be placed on a workbench that is strong enough to carry the machine's weight, that has an appropriate working height.
6. Make sure that the actual electrical power supply voltage corresponds to the voltage stated on the name plate of the machine. The machine must be earthed (grounded).
7. Safe operation of the machine requires that a Residual Current Circuit Breaker (RCCB) is installed in the power supply circuit. Confirm the installation requirements with a qualified electrician to verify which options are suitable for the local installation.
8. The machine must be disconnected from the electrical power supply before any service.
9. Disconnect the machine from the electrical power supply and water supply before installing or removing the mounting unit.
10. Make sure that the water connections are correctly mounted and without leaks. Turn on the water supply while using the machine. Turn off the water supply if you are going to leave the machine unattended.
11. During operation, the cooling water from the water outlet tube will be very hot. Make sure that it is not possible to come into contact with the cooling water.
12. Make sure that the outlet hose is safely attached to the water outlet system.
13. Only use water or water with approved Struers cooling additives as a cooling medium.
14. Make sure that the mounting unit is installed correctly:
  - The arrows must be aligned to lock the mounting unit into position
  - The retaining screw must be tightened
  - Close the cover, fasten the cover screw and replace the top plate.
15. Make sure that the top closure with the upper ram is correctly mounted on the mounting cylinder before starting the press.
16. Be careful when handling chamfered rams (option) as the metal edges can be sharp.
17. Do not operate the mounting press with a higher force/pressure than recommended for the actual cylinder diameter and mounting material in Struers Application Guide for Hot Mounting.
18. Allow the mounting cylinder to cool for at least 2 minutes after a heating cycle before opening.
19. During operation, make sure that the top closure is tightly fastened.
20. Never leave the machine unattended while a mounting process is running.
21. In the event of a hydraulic leak or any other form of failure, the machine must be serviced immediately.
22. In case of fire, alert bystanders, the fire brigade and cut power. Use a powder fire extinguisher. Do not use water.
23. Struers equipment must only be used in connection with and as described in the Instruction Manual supplied with the equipment.

24. The machine is designed to be used only with Struers consumables specifically designed for this purpose and this type of machine.
25. If the equipment is subjected to misuse, incorrect installation, alteration, neglect, accident or incorrect repair, Struers will accept no responsibility for damage to the user or the equipment.
26. Dismantling of any part of the equipment, during service or repair, should always be performed by a qualified technician (electromechanical, electronic, mechanical, pneumatic, etc.)

## 2.3 Safety messages

### Signs used in safety messages

Struers uses the following signs to indicate potential hazards.



#### **ELECTRICAL HAZARD**

This sign indicates an electrical hazard which, if not avoided, will result in death or serious injury.



#### **DANGER**

This sign indicates a hazard with a high level of risk which, if not avoided, will result in death or serious injury.



#### **WARNING**

This sign indicates a hazard with a medium level of risk which, if not avoided, could result in death or serious injury.



#### **CAUTION**

This sign indicates a hazard with a low level of risk which, if not avoided, could result in minor or moderate injury.



#### **CRUSHING HAZARD**

This sign indicates a crushing hazard which, if not avoided, could result in minor, moderate or serious injury.

### General messages



#### **Note**

This sign indicates that there is a risk of damage to property, or a need to proceed with special care.



#### **Hint**

This sign indicates that additional information and hints are available.



## 2.4 Safety messages in this manual

**CAUTION**

Struers equipment must only be used in connection with and as described in the Instruction Manual supplied with the equipment.

**CAUTION**

Risk of burns or scalding  
Water from the water outlet hose may become very hot.

**CAUTION**

This machine must be operated and maintained only by skilled/trained personnel.

**CAUTION**

The machine is designed to be used only with Struers consumables specifically designed for this purpose and this type of machine.

**CAUTION**

Prolonged exposure to loud noises may cause permanent damage to a person's hearing.  
Use hearing protection if the exposure to noise exceeds the levels set by local regulations.

**CAUTION**

Always follow the recommended heating and cooling parameters described in Struers **Application Guide for Hot Mounting**.

**CAUTION**

During operation, the mount and the mounting unit becomes very hot.

**CAUTION**

During operation, the mounting unit becomes very hot. Make sure that it is cool enough to be handled before you remove it.

**CAUTION**

During operation, the mounting unit becomes very hot. Ensure that the top closure is fully closed, before you start the mounting process.

**WARNING**

Safe operation of the machine requires that a Residual Current Circuit Breaker (RCCB) is installed in the power supply circuit. Confirm the installation requirements with a qualified electrician to verify which options are suitable for the local installation.



**ELECTRICAL HAZARD**

Disconnect the machine from the electrical power supply and water supply before installing or removing the mounting unit.



**ELECTRICAL HAZARD**

Removal and installation of the mounting unit must be carried out by skilled or instructed persons.



**ELECTRICAL HAZARD**

Connect the water and electrical connections in the order described. Connecting the water connections before the electrical connections could result in water being leaked into the electrical connections and lead to a short circuit.



**ELECTRICAL HAZARD**

Switch off the electrical power supply before installing electrical equipment. The machine must be earthed (grounded). Make sure that the actual electrical power supply voltage corresponds to the voltage stated on the name plate of the machine. Incorrect voltage can damage the electrical circuit.



**ELECTRICAL HAZARD**

Do not use the 6-15P cable to connect equipment that use a 110 V power supply. Failure to adhere to this may result in material damage.



**HEAT HAZARD**

During operation, the mount and the mounting unit becomes very hot. Following a heating cycle, ensure that the mounting cylinder is cooled actively for a minimum of 2 minutes before opening.



**CRUSHING HAZARD**

Take care of your fingers when handling the machine. Wear safety shoes when handling heavy machinery.

## 3 Get started - introduction

### 3.1 Device description

CitoPress-5 is an electro-hydraulic unit for hot mounting materialographic specimens with Struers hot mounting materials.

Each mounting unit can be equipped with the different cylinder sizes. Cylinders can easily be exchanged if a different diameter is needed. The required cylinder size will depend on the size of the sample to be mounted.

Each process parameter, such as temperature, pressure, heating and cooling time are individually selected on CitoPress-5.

To operate CitoPress-5, the operator raises the ram. The sample is placed onto the ram which is then lowered to its lowest limit. The required mounting material is filled into the cylinder. The top closure is closed, and the mounting process can be started.

When the mounting process is complete, the machine stops automatically.

After the cooling period ends, the top closure can be opened. The ram is raised to its top limit and the mounted specimen removed. The specimen is ready for grinding/polishing.

The machine can be stopped at any time during the mounting process by pressing STOP.

Struers recommend setting up a local exhaust system to remove dust and fumes from the working area.

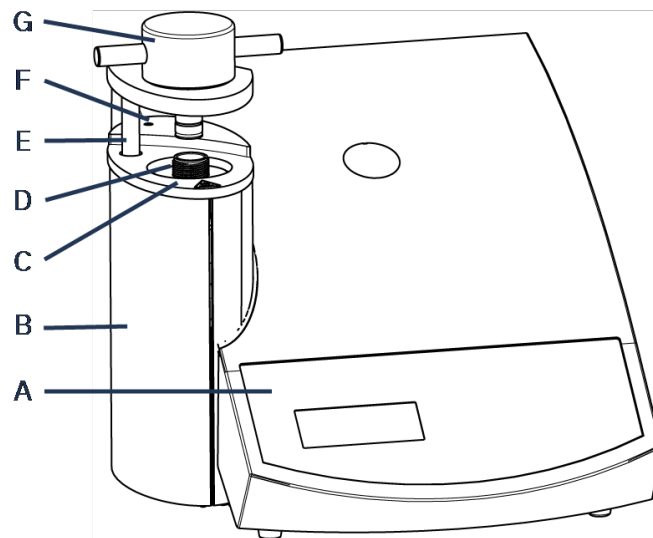
### Terms used in this manual

"Sample" – refers to the piece of material which is to be mounted.

"Specimen" – refers to the piece of material which has been mounted and is ready for further preparation.

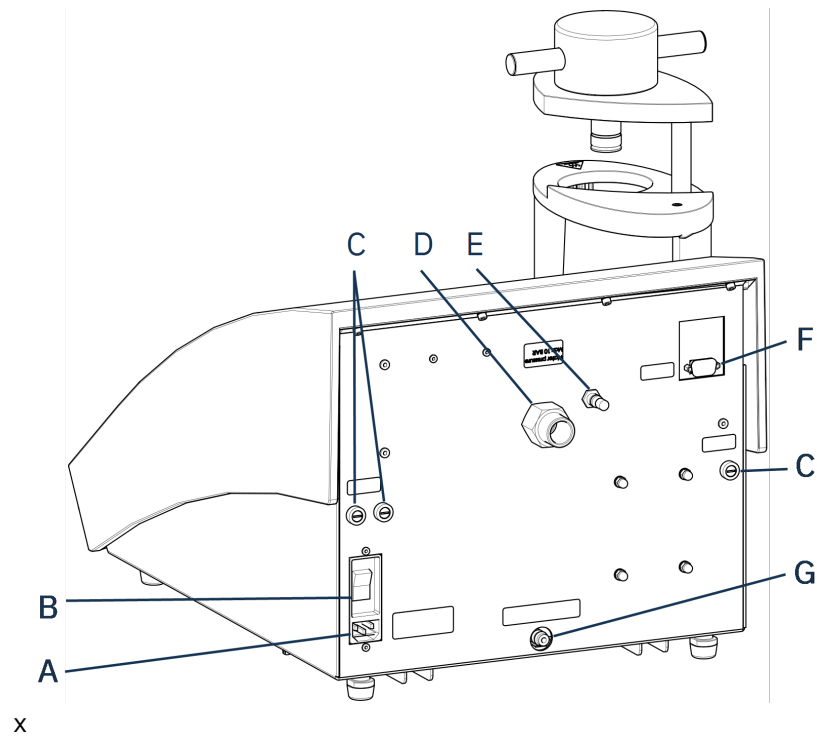
## 3.2 Overview

### Front view



- |                                  |                                     |
|----------------------------------|-------------------------------------|
| <b>A</b> Control panel           | <b>E</b> Swivel arm for top closure |
| <b>B</b> Mounting unit cover     | <b>F</b> Cover screw                |
| <b>C</b> Mounting unit top plate | <b>G</b> Top closure                |
| <b>D</b> Cylinder                | <b>H</b> Upper ram                  |

**Rear view**




- |                       |                               |
|-----------------------|-------------------------------|
| <b>A</b> Power supply | <b>E</b> Ventilation valve    |
| <b>B</b> Main switch  | <b>F</b> RS232 service socket |
| <b>C</b> Fuse holders | <b>G</b> Water outlet         |
| <b>D</b> Water inlet  |                               |

### 3.3 Struers knowledge


Materialographic mounting can be regarded as a helping process assisting the mechanical preparation process as well as the final test.

Understanding the different characteristics of mounting materials and being able to evaluate the need for mounting is the key to have specimens that are easy to handle and clean and gives a good image of a coating or an edge.



**Hint**  
For further information, see the section on Mounting on the [Struers website](http://www.struers.com).

#### 3.3.1 Application Guide for Hot Mounting



**Hint**  
Find useful mounting data and hints in Struers **Application Guide for Hot Mounting**. This is delivered with the machine but is also available in the Struers website on <http://www.struers.com>.

## 3.4 Accessories and consumables

### Accessories

For information about the available range, see the CitoPress-5 brochure:

- [The Struers Website](http://www.struers.com) (<http://www.struers.com>)

### Consumables

The machine is designed to be used only with Struers consumables specifically designed for this purpose and this type of machine.

Other products may contain aggressive solvents, which dissolve e.g. rubber seals. The warranty may not cover damaged machine parts (e.g. seals and tubes), where the damage can be directly related to the use of consumables not supplied by Struers.

For information about the available range, see: [The Struers Website](http://www.struers.com) (<http://www.struers.com>).

# 4 Installation

## 4.1 Unpack the machine



### CRUSHING HAZARD

Take care of your fingers when handling the machine.  
Wear safety shoes when handling heavy machinery.



### Note

We recommend that you keep all original packaging and fittings for future use.

### Procedure

1. Remove the crate.
2. Remove the carriage bolts from the transport brackets that secure CitoPress-5 to the transport pallet.
3. Remove the brackets.

## 4.2 Check the packing list

The packing box contains the following items:

### CitoPress-5

Pcs.	Description
1	CitoPress-5
1	top closure with upper ram
3	lower ram
1	piston pin
1	mount release agent, Struers AntiStick
1	scraper

## 4.3 Lift the machine



### CRUSHING HAZARD

Take care of your fingers when handling the machine.  
Wear safety shoes when handling heavy machinery.



### Note

2 persons are required to lift the machine.

- Lift the machine by grasping underneath the base of the machine from the left side and the right side.

## 4.4 Location

1. Make sure that the equipment is placed close to the electrical power supply, the water supply for the water inlet, and the waste water outlet for the hand-operated water outlet.
2. Place the machine on a rigid, stable workbench with a horizontal surface and an adequate height.
3. If the machine is to be connected to a recirculation cooling unit, make sure that there is room for it underneath the table.
4. For easy access for service and maintenance, allow sufficient space around the machine.



### Hint

For dimensions and recommended space, see the Pre-installation checklist.  
See also [Recommended workbench dimensions](#) ► 15 in this manual.

**Hint**

Make sure that the work station has adequate lighting. Avoid direct or reflected light in the eyes of the operator.

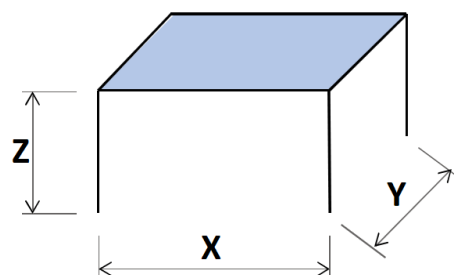
#### 4.4.1 Recommended workbench dimensions

The machine is designed to be placed on a table or workbench at an appropriate working height.

For easy access for service and maintenance, allow sufficient space around the machine.

##### Recommended workbench dimensions

- X:** 92 cm / 36.2" (width)  
**Y:** 90 cm / 35.4" (depth)  
**Z:** Local preference (height)



The workbench must be able to carry at least 60 kg/132 lbs.

## 4.5 Power supply

**ELECTRICAL HAZARD**

Switch off the electrical power supply before installing electrical equipment. The machine must be earthed (grounded). Make sure that the actual electrical power supply voltage corresponds to the voltage stated on the name plate of the machine. Incorrect voltage can damage the electrical circuit.

**WARNING**

Safe operation of the machine requires that a Residual Current Circuit Breaker (RCCB) is installed in the power supply circuit. Confirm the installation requirements with a qualified electrician to verify which options are suitable for the local installation.

##### Requirements for electrical installations

**Residual Current Circuit Breaker (RCCB)**

Type A, 30 mA (EN 50178/5.2.11.1) or better is required

**Note**

If the plug supplied on this cable is not approved in your country, the plug must be replaced with an approved plug.

See section [Technical data](#) ► 55 for information on electrical supply and consumption.

### Electrical power supply cables

The machine is shipped with 3 types of electrical power supply cables (length 2.5 m/8.2"): 1 connection to the machine, 2 single-phase supplies (European and North American), and 1 2-phase supply for CitoPress-30.

#### 4.5.1 Connection to the machine

All cables are equipped with an IEC 320 cable connector. Connect the cable connector to CitoPress-5.



#### 4.5.2 Single-phase supply

##### Electrical power supply cable with 2-pin plug (European Schuko)

The 2-pin plug (European Schuko) is for use on single-phase electrical power connections.



The leads must be connected as follows:

Yellow/Green	Earth (ground)
Brown	Line (live)
Blue	Neutral

##### Electrical power supply cable with 3-pin plug (North American NEMA 5-15P)

The 3-pin plug (North American NEMA 5-15P) is for use on single-phase electrical power connections.



The leads must be connected as follows:

Green	Earth (ground)
Black	Neutral
White	Line (live)

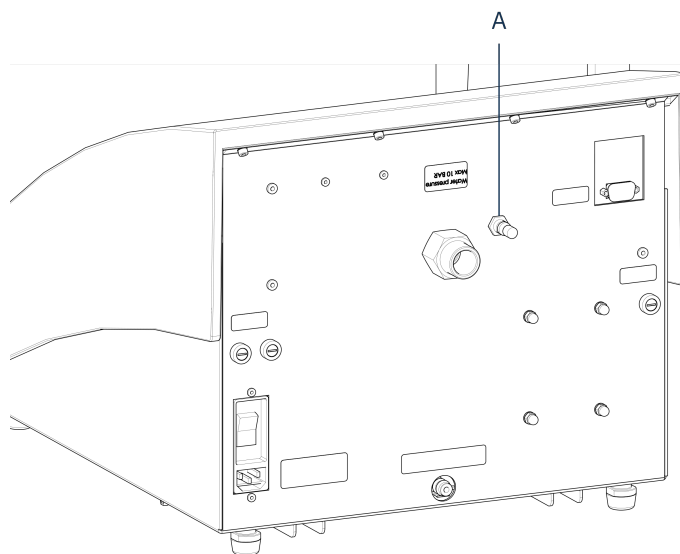
## 4.6 Open the ventilation valve

The ventilation valve is closed during transport and protected by a plastic cap. Open the ventilation valve to equalize the pressure in the machine's hydraulic system.

### Procedure

1. Remove the plastic cap from the valve.
2. Open the valve fully.
3. Secure the valve in the open position using the locking nut.





**A** Ventilation valve

## 4.7 Water supply

Cooling water is provided by the water supply.

### 4.7.1 Connect the cooling water inlet

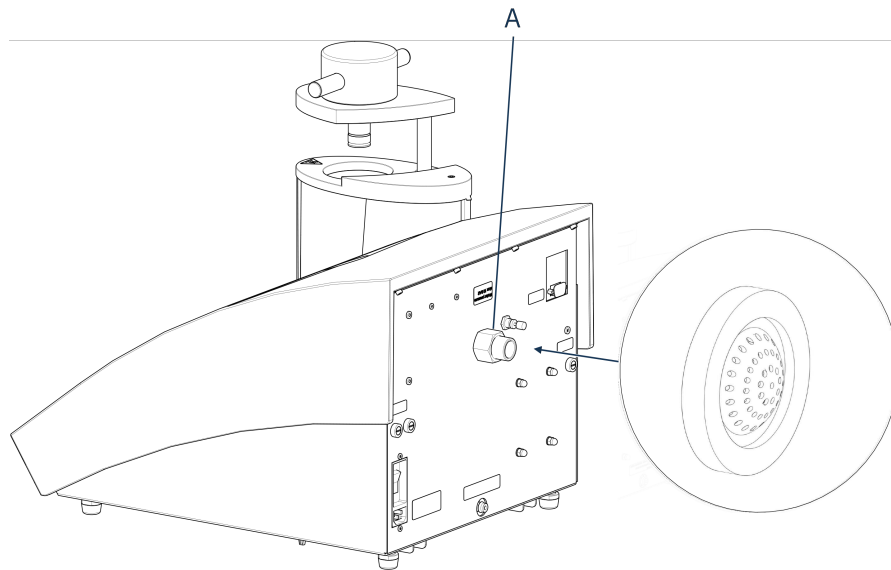


**Note**

Connect only to cold water.

**Procedure**

1. Mount the pressure hose onto the water inlet tube on the back of the machine (A).



### A Water inlet

2. Insert the filter gasket in the coupling nut with the flat side facing outwards.
3. Tighten the coupling nut firmly.
4. Mount the other end of the pressure hose on the water supply for cold water.
5. Mount the reduction ring with gasket on the water supply if necessary.
6. Tighten the coupling nut firmly.

### 4.7.2 Connect the cooling water outlet

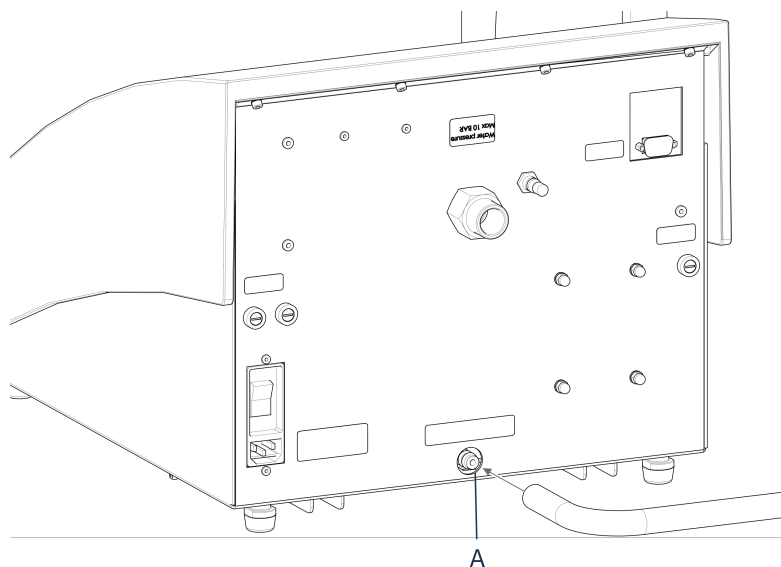


#### **CAUTION**

Risk of burns or scalding

Water from the water outlet hose may become very hot.

1. Mount a hose on the water outlet. (A)
2. Place the unconnected end of the water outlet hose in a drain.



**A** Water outlet



**Note**

Make sure that the hose slopes downward towards the waste water drain throughout its entire length. The drain must be lower than the machine, and the hose must be unobstructed.

## 4.8 Noise

For information on the sound pressure level value, see this section: [Technical data ▶ 55](#).



**CAUTION**

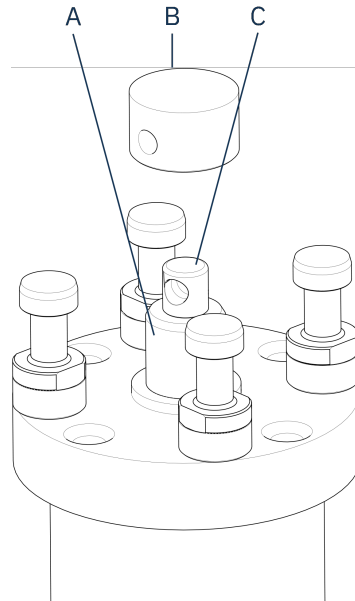
Prolonged exposure to loud noises may cause permanent damage to a person's hearing. Use hearing protection if the exposure to noise exceeds the levels set by local regulations.

## 4.9 Install the lower ram

Before you install the mounting unit, install the lower ram.

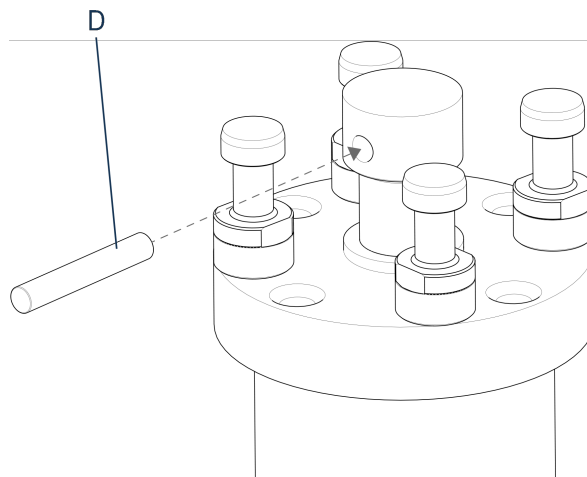
**Procedure**

1. Remove the top closure and the swivel arm on the mounting unit (if already mounted).
2. Unscrew the cover screw.
3. Remove the mounting unit top plate.
4. Open the mounting unit cover.
5. Place the lower ram on the top of the piston rod.



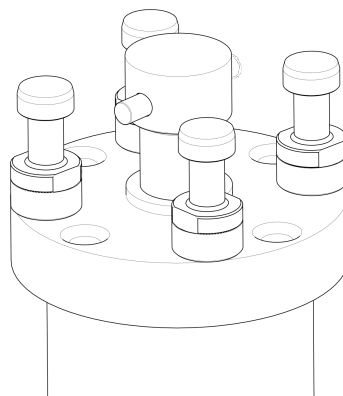
- A** Piston rod
- B** Lower ram
- C** Axle journal

6. Align the hole in the lower ram with the hole in the axle journal on top of the rod.



- D** Piston pin

7. Insert the piston pin.



8. Make sure that the ends of the pin do not protrude.

## 4.10 Install the mounting unit



### **ELECTRICAL HAZARD**

Disconnect the machine from the electrical power supply and water supply before installing or removing the mounting unit.



### **ELECTRICAL HAZARD**

The mounting unit must only be installed or removed by skilled technicians.

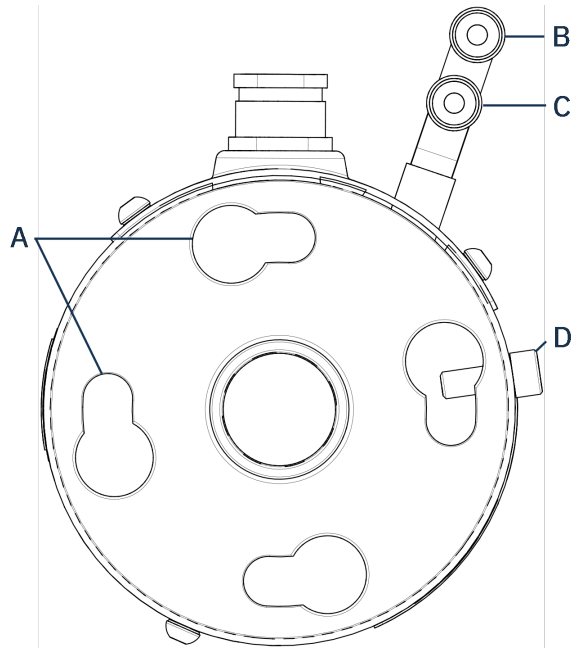


### **ELECTRICAL HAZARD**

Connect the water and electrical connections in the order described. Connecting the water connections before the electrical connections could result in water being leaked into the electrical connections and lead to a short circuit.

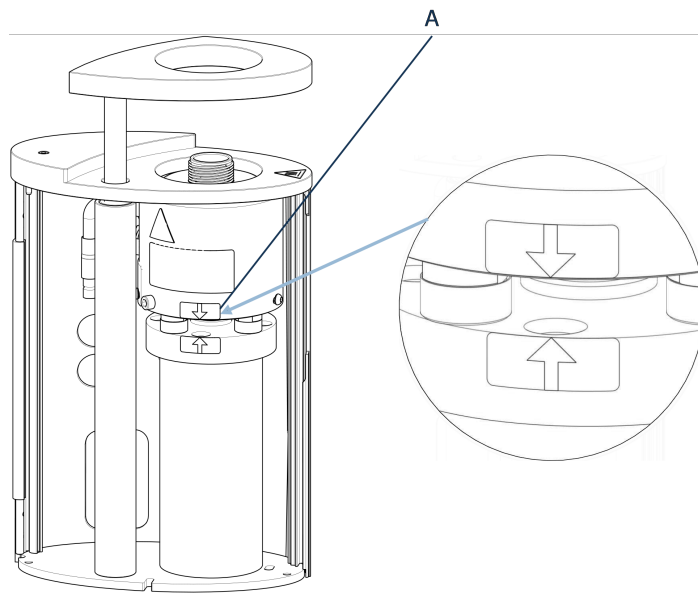
*Mounting unit, bottom view*

1. Place the mounting unit loosely over the hydraulic cylinder.
2. Rotate the mounting unit to line up the keyhole locking slots with the 4 studs on the hydraulic cylinder.



- A** Keyhole locking slots
- B** Outlet connection: male fitting (blue)
- C** Inlet connection: male fitting (red)
- D** Retaining screw

3. Lower the unit onto the studs of the hydraulic cylinder.
4. Move the mounting unit's cables and water couplings to one side to ensure that they do not restrict the movement of the mounting unit when you lock it into position.
5. When the mounting unit is located on top of the hydraulic cylinder, turn it clockwise until the 2 arrows are aligned and it locks into position.



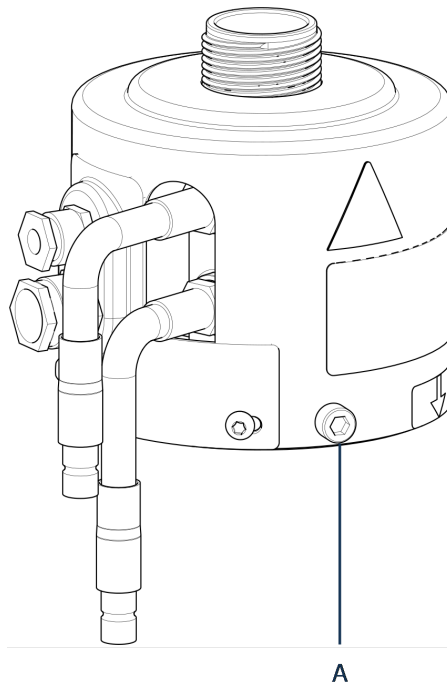
- A** Arrows aligned

**Note**

Double-check that the mounting unit is locked into position. If it is not, CitoPress-5 may be damaged during operation.

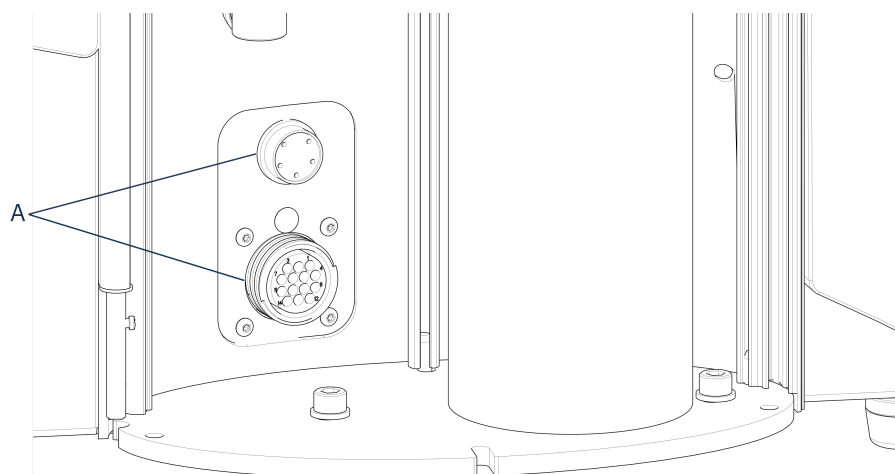
6. Tighten the retaining screw.

*Mounting unit, side view*



**A** Retaining screw

7. Connect the mounting unit's 2 loose cables to the 2 sockets on CitoPress-5.
  - The large plug to the large socket (with the red dot on the plug facing up) and the small plug to the small socket.
  - Tighten the coupling nuts on both plugs to secure the connection.

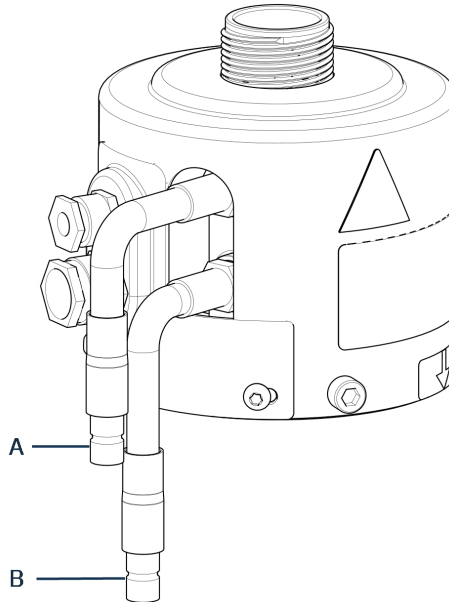


**A** Sockets

### Water connections

The water connections are color-coded:

- The inlet connection is red (B)
- The outlet connection is blue (C)



**A** Inlet connection: male fitting (red)

**B** Outlet connection: male fitting (blue)

8. Connect the male inlet and outlet water couplings on the mounting unit to the female fittings on CitoPress-5.
  - Hold the spring-loaded collar down and connect the water coupling.
  - Release the spring-loaded collar and check the water connection is secure.
9. Close the cover.
10. Replace the top plate and fasten the cover screw.



**Note**

To ensure optimal performance and operator safety:

- Ensure that the arrows are aligned to lock the mounting unit into position.
- Ensure that the retaining screw is tightened.
- Close the cover and replace the top plate.

*Install the swivel arm*

11. Mount the swivel arm by sliding it through the hole in the top plate and into the sleeve in the mounting unit cover.

*Mount the top closure*

12. Mount the top closure in the hole in the top of the swivel arm.



**Note**

When you have changed the mounting unit, you must also change to the appropriate size of top closure.

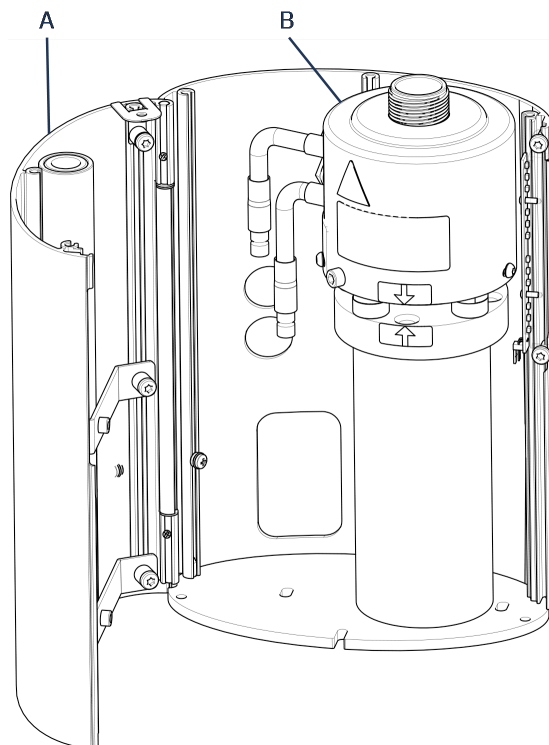
## 4.11 Replace the lower ram

### Access the lower ram

1. Switch the machine on.
2. Hold **Down** for a few seconds to lower the ram to its lowest limit.



3. Switch the machine off.
4. Remove the top closure and the swivel arm. (See the location of parts in [Overview ► 11](#)).
5. Remove the cover screw.
6. Remove the mounting unit top plate.
7. Open the mounting unit cover.

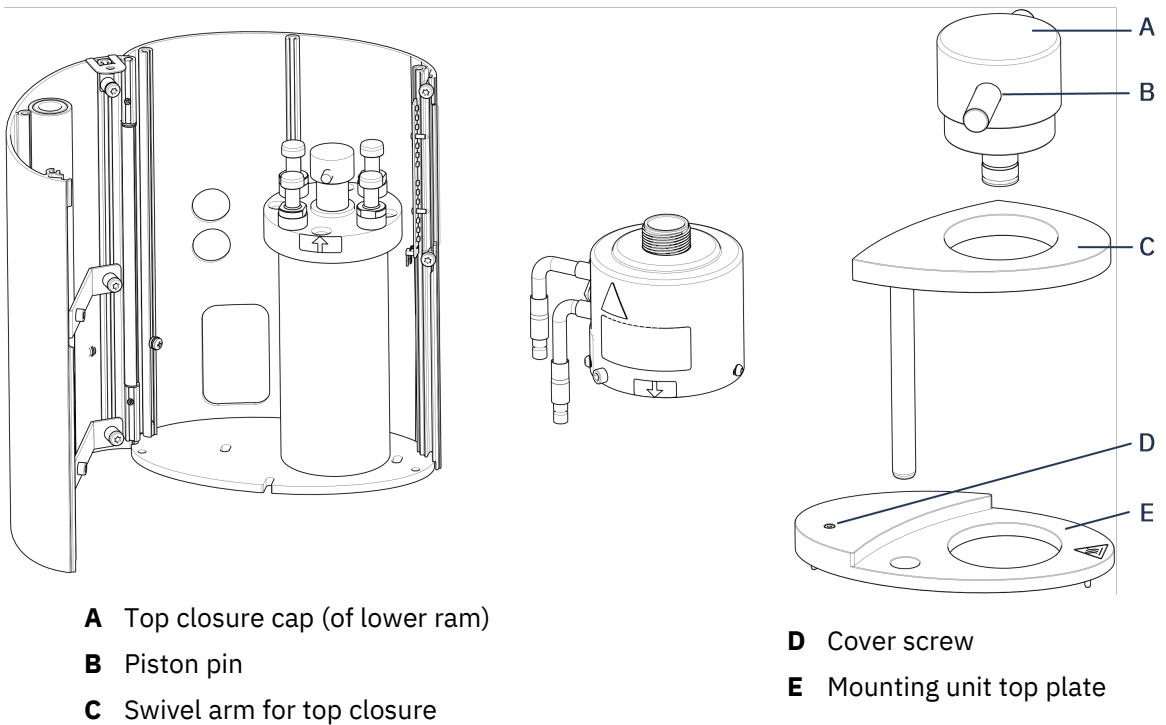


**A** Mounting unit cover

**B** Mounting unit

8. Disconnect the water hoses – clearly marked blue (inlet) and red (outlet).
9. Remove the retaining screw.

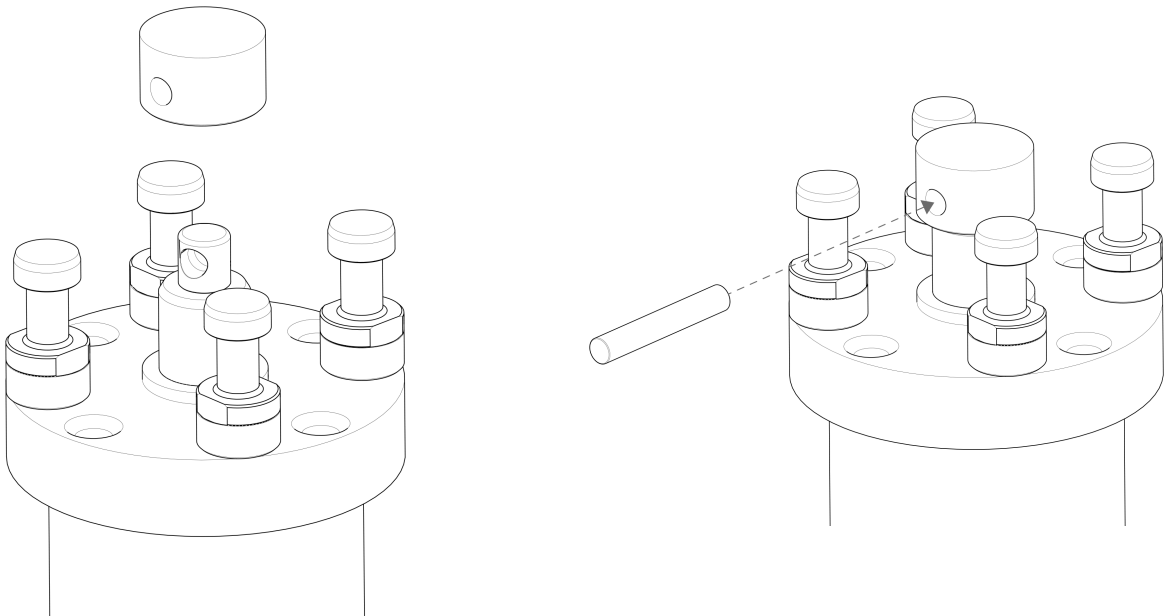
10. Twist the cooling/heating unit counter clock-wise, and lift it off of the mounting unit.



11. Push the piston pin out from the lower ram, and lift it off.

12. Place the new lower ram on the top of the piston rod.

13. Align the hole in the lower ram with the hole in the axle journal on top of the rod.



14. Insert the piston pin.

15. Make sure that the ends of the pin do not protrude.

16. Push the piston pin out from the lower ram, and lift it off.

17. Place the new lower ram on the top of the piston rod.
18. Align the hole in the lower ram with the hole in the axle journal on top of the rod.

#### Assemble the mounting unit

1. Mount the mounting unit, and turn it clock-wise until the 2 arrows align.
2. Mount the chamfered retaining screw – do not use force.
3. Connect the water.
4. Close the mounting unit cover, and mount the mounting unit top plate.
5. Fasten the cover screw.
6. Mount the top closure and the swivel arm.



#### Hint

A build-up of mounting material can make it difficult to remove the lower ram from the mounting unit.



#### Note

Contact Struers Service for advice on how to loosen the lower ram.

## 4.12 Remove the mounting unit



#### ELECTRICAL HAZARD

Disconnect the machine from the electrical power supply and water supply before installing or removing the mounting unit.



#### ELECTRICAL HAZARD

The mounting unit must only be installed or removed by skilled technicians.



#### CAUTION

During operation, the mounting unit becomes very hot. Make sure that it is cool enough to be handled before you remove it.

1. Remove the top closure.
2. Remove the swivel arm by lifting it out of its mounting.
3. Remove the cover screw.
4. Remove the top plate.
5. Open the mounting unit cover.



#### Note

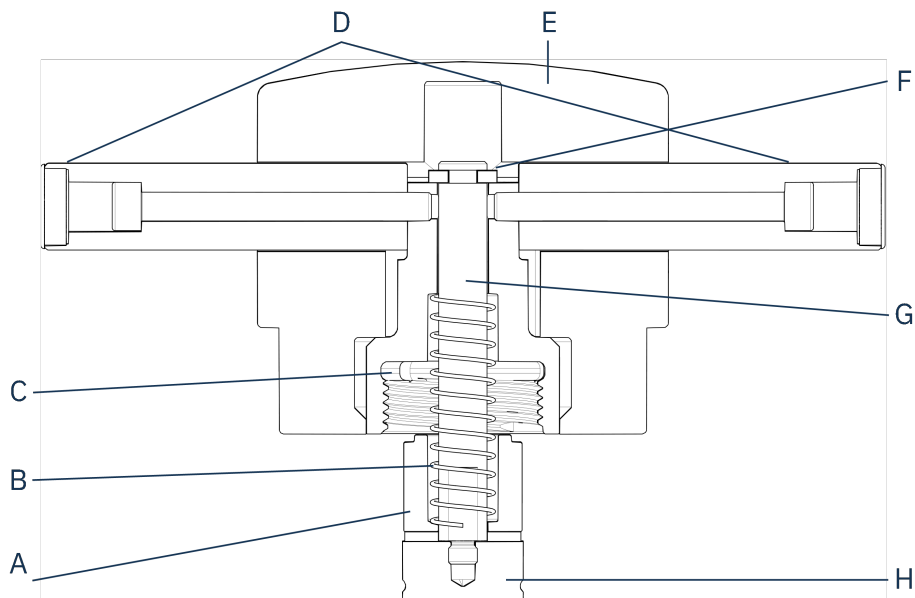
Disconnect the water and electrical connections in the order as described. If you disconnect the electrical connections before the water connections, water could leak into the connections.

6. Disconnect the male inlet and outlet water couplings of the mounting unit from the female fittings of the machine.
7. Wait 5 seconds to allow the water to flow out of the cooling coil.
8. Loosen the coupling nuts on both the large and small electrical plugs, then pull the plugs out of the sockets.
9. Loosen the retaining screw.
10. Turn the mounting unit in an anti-clockwise direction until it stops.
11. Lift the mounting unit free of the hydraulic cylinder.

### 4.13 Replace the mounting unit

Follow the instructions in [Remove the mounting unit ▶ 27](#) and [Install the mounting unit ▶ 21](#).

### 4.14 Remove the upper ram



- |                  |                           |
|------------------|---------------------------|
| <b>A</b> Spacer  | <b>E</b> Top closure cap  |
| <b>B</b> Spring  | <b>F</b> Retaining washer |
| <b>C</b> Top nut | <b>G</b> Rod              |
| <b>D</b> Handles | <b>H</b> Upper ram        |

1. Unscrew the handles (D) on either side of the top closure cap (E).
2. Remove the handles by turning them counter-clockwise.
3. Remove the top closure cap.
4. Remove the retaining washer (F).
5. Remove the top nut (C), spring (B) and spacer (A).

6. Pull out the upper ram (H). Do not remove the rod (G) from the upper ram unless absolutely necessary.
7. If you must remove the rod, hold the upper ram in a vice or a similar device with soft jaws.

**Note**

The ram surface must be protected with plastic or soft metal.

## 5 Transport and storage

If, at any time after the installation, you have to move the unit or place it in storage, there is a number of guidelines we recommend that you follow.

- Package the unit securely before transportation. Insufficient packaging could cause damage to the unit and will void the warranty. Contact Struers Service.
- We recommend that you use the original packaging and fittings.

**ELECTRICAL HAZARD**

Disconnect the machine from the electrical power supply and water supply before installing or removing the mounting unit.

**CRUSHING HAZARD**

Take care of your fingers when handling the machine.  
Wear safety shoes when handling heavy machinery.

**Note**

Package the unit securely before transportation.  
We recommend that you keep all original packaging and fittings for future use.

1. Disconnect the machine from the electrical power supply.
2. Disconnect the water inlet and the water outlet.  
Residual water drains from the machine when the water supply is disconnected.
3. Clean and dry the machine and all accessories thoroughly.
4. Disconnect the cooling system, if installed. See the instructions for the specific unit.
5. Lift the machine onto a trolley.  
Hold underneath the base of the machine, on the left side and on the right side. 2 persons are required to lift the machine.
6. After transportation, lift the machine off the trolley into its new position.

**Long-time storage or shipping – additional steps**

1. Close the ventilation valve, secure using the locking nut.
2. Mount a plastic cap on the ventilation valve.

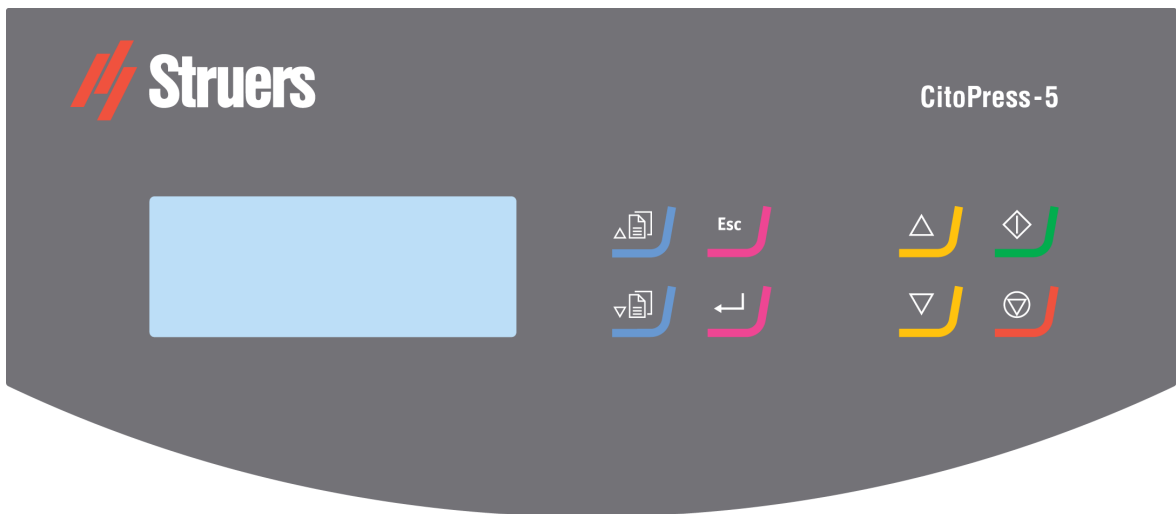
3. Place a large plastic sheet on a pallet.
4. Place the machine on blocks on the pallet
5. Secure the machine using the original transport brackets.
6. Place desiccant (silica gel) by the machine.
7. Strap and tape the plastic sheet close to keep the machine dry.
8. Pack the loose parts in the cardboard box and place it on the machine.
9. Build a crate around the machine and secure.

**At the new location**







See [Location ► 14](#) and the Pre-installation checklist.

# 6 Operate the device

## 6.1 Navigation and control panel



Button	Function
	<b>Scroll up</b> <ul style="list-style-type: none"> <li>• Scroll up in the menu</li> <li>• Increase the value of a setting.</li> </ul>
	<b>Scroll down</b> <ul style="list-style-type: none"> <li>• Scroll down in the menu</li> <li>• Decrease the value of a setting.</li> </ul>

Button	Function
	<b>Esc (Escape)</b> <ul style="list-style-type: none"> <li>Return to the previous menu.</li> <li>Exit a selected menu item and discard changes.</li> <li>Cancel changes.</li> </ul>
	<b>Select/Enter</b> <ul style="list-style-type: none"> <li>Select a highlighted menu item.</li> <li>Save a value that has been changed.</li> </ul>
	<b>Up</b> <ul style="list-style-type: none"> <li>Start the upward movement of the lower ram. The ram automatically stops when its upper limit is reached.</li> </ul>
	<b>Down</b> <ul style="list-style-type: none"> <li>Start the downward movement of the lower ram. The ram automatically stops when its lower limit is reached.</li> </ul>
	<b>Start</b> <ul style="list-style-type: none"> <li>Start the machine – and the recirculation cooling unit if installed.</li> </ul>
	<b>Stop</b> <ul style="list-style-type: none"> <li>Stop the machine.</li> </ul>

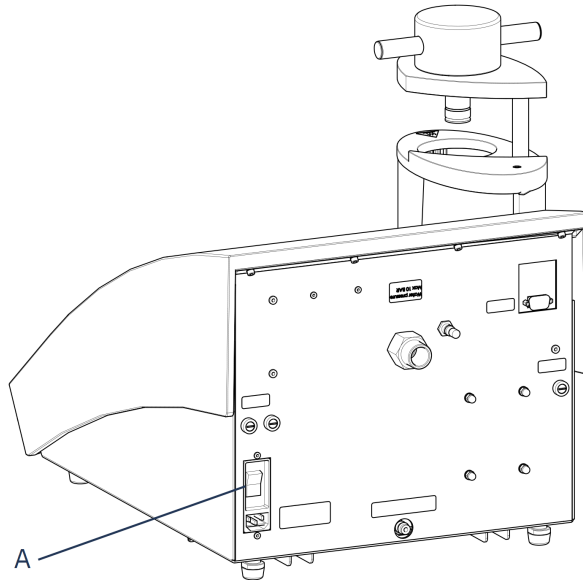
## 6.2 Switch on the machine



### Note

The screens we show in this Instruction may differ from the actual screens on your machine as the software is continuously updated.

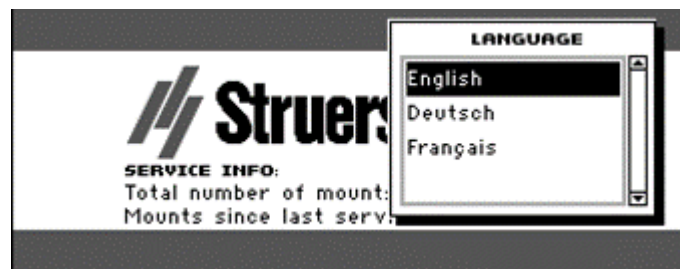
1. Switch on the machine on the power switch (A).



2. The initial start up screen is displayed.



3. The first time you start the machine, you are prompted to select the language you wish to use.



4. Navigate to the desired language.



5. Select the language.

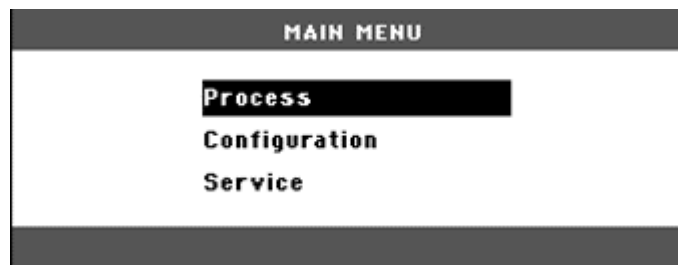


6. The start-up screen **Service info** is shown:





7. The main menu appears.



8. From **Main menu** you can choose between the following options:

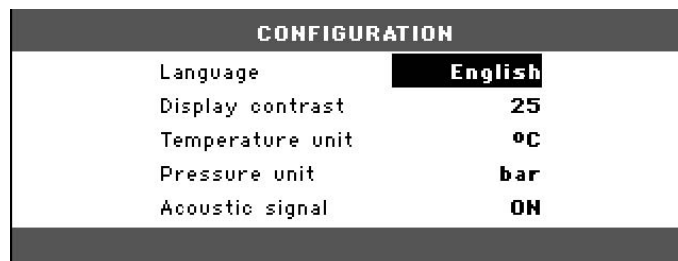
**Process**, see [Process](#) ► 34.

**Configuration**, see [6.3.1](#).

**Service**, see [The service menus](#) ► 45

## 6.3 Software menus

### 6.3.1 Configuration



From the **Configuration** menu you can access a number of settings and parameters.

1. From the **Main menu**, select **Configuration**.

You can configure the following options:

#### **Language**

Select the language you wish to use in the software.

The language can be set to English (default), German, French, Spanish or Japanese.

#### **Display contrast**

You can adjust the display to make it easier to view. Default value: 25. Adjustment range: 0-50.

#### **Temperature unit**

Settings: Celsius or Fahrenheit.

#### **Pressure unit**

Settings: Bar or psi.

### Acoustic signal

#### On:

- A beep is heard when the mounting process has been completed.
- Beeps are heard when control buttons are pressed.

#### Off:

- The acoustic signal is disabled.

### Change the language setting

The default language is English but you can change the language after initial start-up.

1. From **Main menu**, use the down menu key to highlight **Configuration**.
2. Press **Enter** to select the item.
3. Use the menu keys to highlight **Language**.
4. Press **Enter**.
5. Use the up and down menu keys to highlight the required language, then press **Enter** to select it.
6. Press **Esc** to move from **Configuration** back to **Main menu**.

## 7 Basic operation

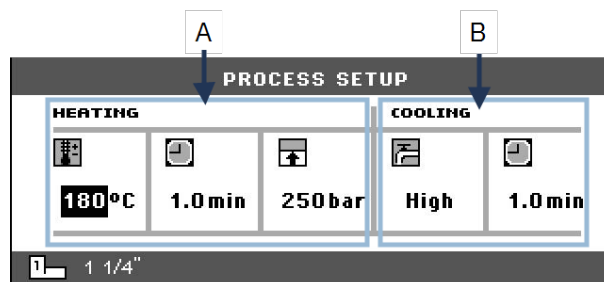


### CAUTION

This machine must be operated and maintained only by skilled/trained personnel.

### 7.1 Process

In **Process > Process setup**, there are 2 main areas:



**A Heating**

**B Cooling**

## Heating

Use the **Heating** area to set up and display the heating values used to process the sample. You can set the following values:



Temperature



Duration



Pressure

## Cooling

Use the **Cooling** area to set up and display the cooling values used to process the sample. You can set the following values:



Speed: **High, Medium, Low**



Cooling time

### 7.1.1 Use the menu Process setup

#### Change the process values

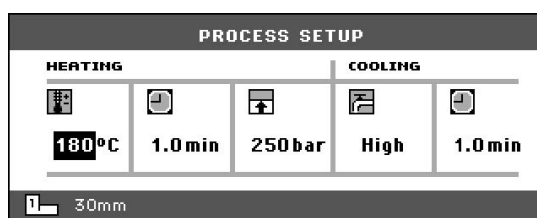
You can change the process settings for processing specimens.

The following example shows how to change the heating temperature value. Use this example to change other settings as well.

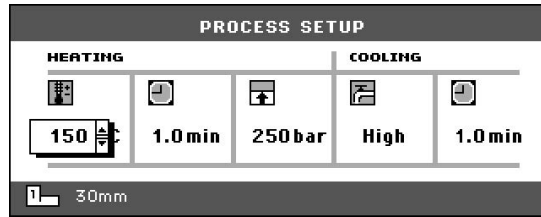
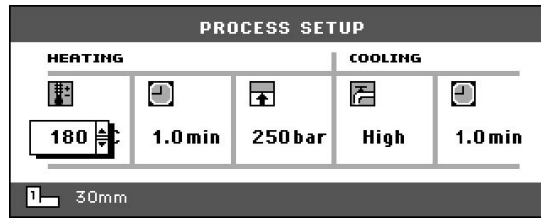
1. In **Process setup**, go to the temperature field under **Heating**.



2. Choose the temperature field and select.



3. Increase or decrease the temperature as needed (go up or down).



4. Save the value.



### Reuse process settings

When you have completed a sample preparation, or if you have switched off the machine, the most recently used process settings are shown.

If these settings are appropriate for the next specimen to be processed, prepare the specimen, then press the **Start** button, and the process runs automatically.

## 7.2 Mount a sample

### Place the sample

1. Press **Up** to raise the lower ram to its upper limit.



2. Apply the mount release agent to the surface of the lower ram.



**Note**

A thin layer of mount release agent must always be applied to the mounting rams to prevent the mounting materials sticking to the surface.

3. Place the sample on the ram. The sample must be clean, dry and free from grease. The distance between the sample and the cylinder wall must be minimum 3 mm to avoid cracks in the resin.
4. Press **Down**.



- The upper ram moves to its lowest limit.

### Pour resin over the sample

Fill a suitable amount of mounting material into the cylinder using the funnel supplied.



#### Hint

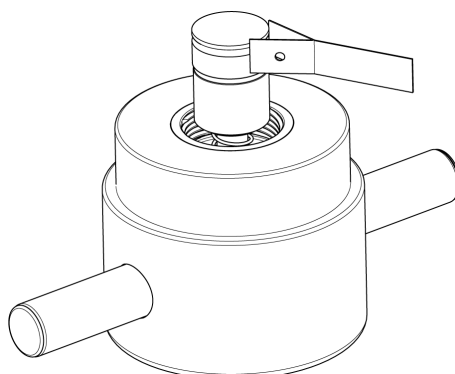
Look for useful mounting data and hints in the section on Mounting on the [Struers website](#).



#### Note

Always make sure there is sufficient mounting material to cover the sample after compression. The volume of the mounting material reduces when the granulate becomes compressed. If insufficient mounting material is used, the rams may come in contact with the sample, and the rams and cylinder may be damaged.

### Close the top closure



- Before use, remove mounting material dust from the upper part of the mounting cylinder.
- Without damaging the surface, clean the cylindrical surface of the upper ram. Use the scraper to remove cured mounting material.
- Apply mount release agent to all accessible surfaces of the upper ram.
- Place the top closure with the upper ram on the mounting cylinder.
- Press the top closure straight down, turning it clockwise until it is closed.



#### Note

If the ram does not fit easily into the cylinder, then check ram and cylinder for cured mounting material. The tolerance between the cylinder and the ram is very small and even small amounts of mounting material from previous mountings may cause problems.

### 7.2.1 Start the mounting process



**CAUTION**

During operation, the mounting unit becomes very hot. Ensure that the top closure is fully closed, before you start the mounting process.



**Note**

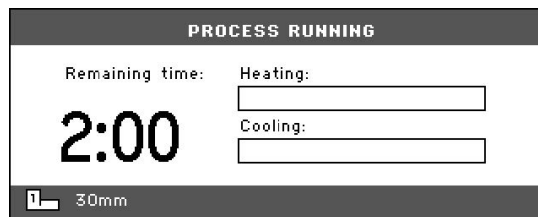
Before starting the mounting process, to prevent damage at installation, make sure that you have turned the mounting unit clockwise until the two arrows are aligned.

1. Press **Start**.

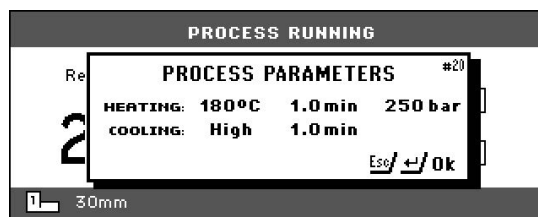


### 7.2.2 The mounting process

1. During the mounting process the screen shows the progress of the current stage (**Heating** or **Cooling**) and the time remaining before the mounting process is complete.



2. If you wish to view the process settings, press **Enter**.



3. Press **Escape** to return to the process screen.



### 7.2.3 Stop the mounting process



#### CAUTION

During operation, the mount and the mounting unit becomes very hot.



#### CAUTION

Always follow the recommended heating and cooling parameters described in Struers **Application Guide for Hot Mounting**. See [3.3.1](#).



#### Note

The mount may be destroyed if you stop the mounting process during the process.

If you must do this, cool the mounting cylinder a minimum of 2 minutes before you open it after a heating period.

#### Automatically

The machine stops automatically when the cooling time has elapsed.

#### Manually

- To stop the machine any time during the mounting process, press **Stop**.



### 7.2.4 Remove the top closure



#### HEAT HAZARD

During operation, the mount and the mounting unit becomes very hot. Following a heating cycle, ensure that the mounting cylinder is cooled actively for a minimum of 2 minutes before opening.



#### CAUTION

Always follow the recommended heating and cooling parameters described in Struers **Application Guide for Hot Mounting**. See [3.3.1](#).

When the mounting process is finished:

- Turn the top closure counter-clockwise until it is released from the thread.
- Press **Up** to raise the lower ram to its upper limit.



- Turn the top closure to one side so that you can remove the mount.

# 8 Maintenance and service

Proper maintenance is required to achieve the maximum up-time and operating lifetime of the machine. Maintenance is important in ensuring continued safe operation of your machine.

The maintenance procedures described in this section must be carried out by skilled or trained personnel.

## Technical questions and spare parts

If you have technical questions or when you order spare parts, state serial number and voltage/frequency. The serial number and the voltage are stated on the name plate of the machine.

## 8.1 General cleaning

To ensure a longer lifetime for your machine, we strongly recommend regular cleaning.

**Note**

Do not use acetone, benzol or similar solvents.

**Note**

Do not use a dry cloth on the control box as the display surface is not scratch resistant.

- Clean the front plate with a damp cloth after use.

**If the machine is not to be used for a longer period of time**

- Clean the machine and all accessories thoroughly.

## 8.2 Before each mounting

### 8.2.1 Clean the rams

1. Make sure that there is no mounting material left on the flat surface of the rams from previous operations.
2. Clean the cylindrical surface of the upper ram. Use the scraper supplied to remove any residues of mounting material without damaging the surface of the rams.

**Note**

If the sides of the rams are heavily scratched, they must be replaced.  
If the top closure has been dropped, causing a dent or deformation in the edge of the upper ram, the ram must also be replaced.



**Note**

Accumulated mounting material can restrict movement or cause damage to the rams.

## 8.3 Daily

### 8.3.1 Inspection and cleaning

#### Inspection

- Check the machine before each use. Do not use the machine until any damage is repaired.

#### Cleaning

- Clean all accessible surfaces with a soft, damp cloth.

**Hint**

Do not use a dry cloth as the surfaces are not scratch resistant. You can remove grease and oil with ethanol or isopropanol.

**Note**

Never use acetone, benzol or similar solvents.

- Remove residues from exposed surfaces, including the threads
  - A Open the cover (see [Remove the mounting unit ▶ 27](#)).
  - B Close the cover (see [Install the mounting unit ▶ 21](#)).

#### Cleaning accessories

- See the manual supplied with the specific equipment.

### 8.3.2 Lubricate the threads of the top closure

A build-up of residues of mounting material can make it difficult to close the top closure.

1. Remove the top-closure, see [7.2.4](#).
2. Use the scraper supplied or a paint brush to remove any mounting material on the threads of the top closure and mounting unit.

**Note**

The top nut is a wear part because its threads get worn over time. Therefore, it is crucial to remove any residues of mounting material, or it will reduce the lifetime of the top nut.

3. Lubricate the threads with a dry lubricant resistant to high temperatures as the mounting cylinder operates at high temperatures.



**Note**

Do not lubricate the threads in the joint between the top closure and the mounting cylinder with oil or grease.



**Hint**

If there is a slight friction in the threads, lubricate with a dry lubricant such as Molybdenum Sulphite or graphite.

## 8.4 Weekly

### 8.4.1 Cleaning

- Clean painted surfaces and the control panel with a soft damp cloth and common household detergents.



**Note**

Do not use a dry cloth as the surfaces are not scratch resistant.



**Note**

Do not use acetone, benzol or similar solvents.

## 8.5 Monthly

### 8.5.1 Clean under the lower ram

During the process, some cured mounting material will fall down from the lower ram and build up underneath. You must remove this to prevent it from harming the machine.

**Pop-up message**

A message pops up after 200 mounting cycles (default value) to remind you to clean beneath the lower ram.

1. Press **OK** when you have cleaned the area under the lower ram.
2. Press Later to continue operating the machine.

**Procedure**

1. Remove the mounting unit.
2. Remove the piston pin and dismount the lower ram.
3. Remove the mounting material under the lower ram with a cloth or a soft brush.
4. Remount the lower ram and secure with the piston pin.
5. Install the mounting unit.

### 8.5.2 Check the threads

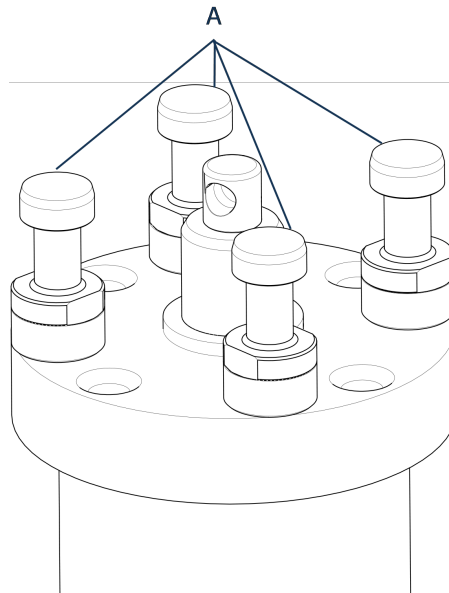
The threads of the top nut will get worn over time and therefore the top nut is a wear part.

1. Inspect the threads of the top nut.
2. If the threads are worn, do not use the top closure anymore.
3. Contact Struers Service, and order a new top nut.

## 8.6 Annually

### 8.6.1 Check the bolts

1. Use a 17 mm torque wrench.
2. Check that the bolts that hold the mounting unit to the cylinder are tight.
3. If necessary, tighten with a force of maximum 25 Nm / 18 lbf ft.



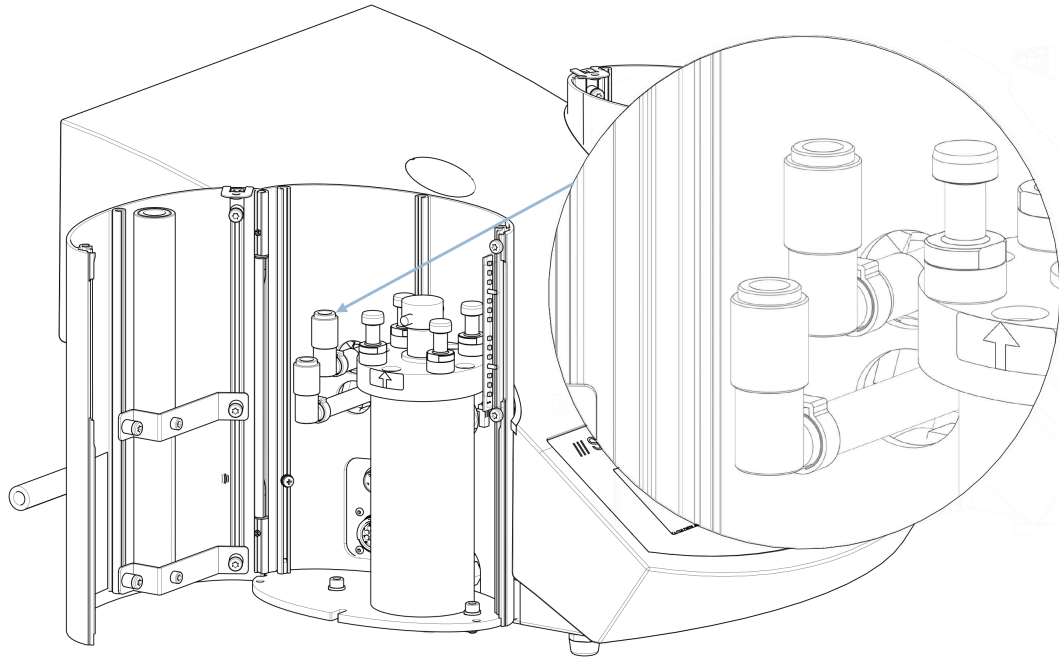
**A** Bolts

### 8.6.2 Water couplings

To maintain the inlet and outlet connections for the mounting unit, lubricate the FPM/FKM O-rings in the water couplings.

This is to prevent them from drying out over time, which will make the water couplings difficult to use when you change the mounting unit.

1. Disconnect the mounting unit's male inlet and outlet water couplings from the machine's female fittings.
2. Lubricate the O-rings in the female fittings.



**Note**

Use a generic tap lubricant resistant to high temperatures (min. 100°C/212°F) to lubricate the FPM/FKM O-ring in the water coupling.

**8.6.3 Cleaning the water filter**

Small particles can collect in the water filter and should be removed.

1. Switch off the water supply.
2. Dismount the water inlet tube.
3. Remove the filter gasket from the coupling nut and rinse thoroughly with water.
4. Reconnect the water inlet. See [Connect the cooling water inlet ▶ 17](#).

**8.6.4 Decalcify the cooling coil**

When you use cooling water from the mains tap in areas with a high chalk or mineral content, deposits can build up in the cooling coil and reduce the cooling effect. In this case, you should decalcify the cooling coil once a year.

1. Remove the mounting unit (see [Remove the mounting unit ▶ 27](#)).
2. Drain water from the cooling system.
3. Flush the coil with a mild decalcifying acid, and leave for ½ hour.

**Hint****Decalcifying acid**

For decalcification of the mounting unit acetic acid or citric acid is recommended. Do not use oxidizing acids such as nitric acid (HNO<sub>3</sub>), this will degrade the copper of the mounting unit and may generate toxic gases. Do not use acids in combination with oxidizing agents such as hydrogen peroxide (H<sub>2</sub>O<sub>2</sub>), this will degrade the copper of the mounting unit.

4. Flush the cooling coil with clean water.
5. Re-install the mounting unit (see [Install the mounting unit ► 21](#)).

If there are still deposits in the coil, repeat this procedure and leave the decalcifying fluid in the mounting unit overnight before flushing with water the next day.

## 9 Spare parts

For specific safety related parts, see the section "Safety Related Parts of the Control System (SRP/CS)" in the section "Technical data" in this manual.

### Technical questions and spare parts

If you have technical questions or when you order spare parts, state the serial number and the year of production. This information is stated in the name plate on the machine.

For further information, or to check the availability of spare parts, contact Struers Service. Contact information is available on [Struers.com](http://Struers.com).

## 10 Service and repair

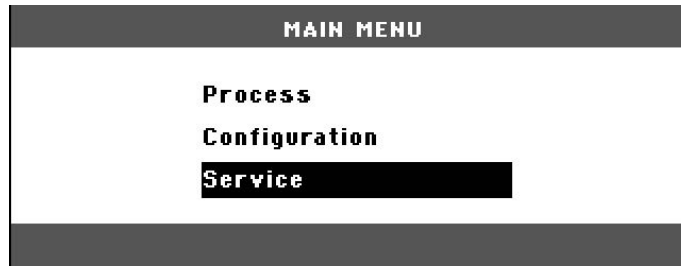
**Note**

Service must only be performed by a qualified technician (electromechanical, electronic, mechanical, pneumatic, etc.). Contact Struers Service.

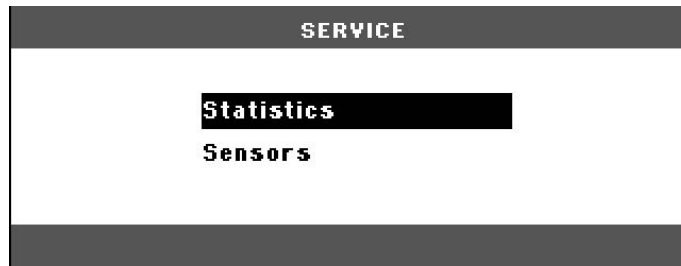
### 10.1 The service menus

From the menu you can access information about the operational history and current operational state of the machine.

1. From **Main menu** select **Service**.



2. Now select one of the 2 options:



**Statistics**

See [Statistics ▶ 46](#).

**Sensors**

See [Sensors ▶ 47](#).

### 10.1.1 Statistics

Statistical information about the machine is measured and recorded. This data is shown in the **Statistics** display.

The following table provides information about this statistical data.

#### Statistics

Item	Display
Serial number	(number)
Software version	(number)
Database version	(number)
Bootloader version	(number)

#### Total usage

Item	Display
Total operation time	(hours)
Hydraulic motor run time	(hours)
Heating element run time	(hours) / (sum of all units)
Number of On/Off operations	(counter)
Number of cooling activations	(counter)

**Usage since last reset (individual reset of each parameter)**

Item	Display
Total operation time	(hours)
Operating time since last service	(hours)
Hydraulic motor	Run time stated in hours
Heating element	Run time stated in hours (the sum of all units)
Number of On/Off operations	(counter)
Cooling activations	(counter)

**10.1.2 Sensors**

The machine is equipped with a range of sensors. Real time data provided by these sensors is shown listed. This data is shown in the **Sensors** display.

The following table provides information about this sensor data.

**PCB voltages**

Sensor	Display
Main PCB version	A DC + Volt
+ DC	A DC + Volt
+24 V DC	A DC + Volt
+12 V DC	A DC + Volt
+9.8 V DC	A DC + Volt
+3.3 V DC	A DC + Volt
-22 V DC	A DC + Volt
LCD contrast	A DC + Volt
Transformer overload	Yes/No

**PCB outputs**

Item	Display
Relay for heating unit	OK/short circuited
Valve for cooling unit	OK/short circuited
Relay for voltage selector	OK/short circuited
RS232 Service	Connected/not connected

**Mounting unit**

Item	Display
Cylinder size	A DC + (mm or inches)
Cylinder temperature	A DC + (°C)
Cylinder oil pressure	A DC + (bar)
Hydraulic pump current	(A DC + ampere) (mean)
Hydraulic pump voltage	(A DC + + DC volt) (mean)

**Main supply voltage**

Item	Display
Supply voltage at power on	A DC + Volt
Current supply voltage	A DC + Volt
Minimum voltage (200 hours)	A DC + Volt (field displaying 200 hours of operation)
Maximum voltage (200 hours)	A DC + Volt (field displaying 200 hours of operation)

**CitoDoser (option)**

Item	Display
Left position sensor	(A DC-value + active/not active)
Right position sensor	(A DC-value + active/not active)
PCB-ID.	(A DC-value + version x)
RFID number	Number
Motor connection	OK/short circuited

# 11 Disposal



Equipment marked with a WEEE symbol contains electrical and electronic components and must not be disposed of as general waste.

Contact your local authorities for information on the correct method of disposal in accordance with national legislation.

For disposal of consumables and recirculation fluid, follow local regulations.



# 12 Troubleshooting

## 12.1 Error messages



### Note

Errors must be corrected before operation can be continued.







1. Press the displayed buttons for the commands **Ok**, **Yes**, **No**, **Restart**, **Cancel** or **Later** to proceed.





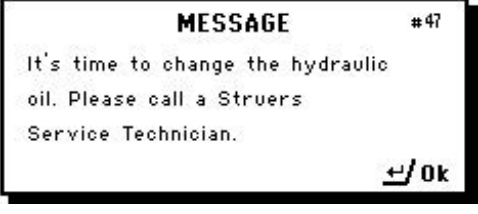





2. If the error remains, contact Struers Service.

### Error messages, causes and actions

Error	Cause	Action
	Pressure error with the ram movement.	Contact Struers Service.
	No digits have been entered as the password.	Press <b>Esc</b> , and enter 4 digits for the password.
	Temperature error, mounting unit. CitoPress-30: The message will indicate whether the problem occurs with unit 1 or unit 2.	Contact Struers Service.

Error	Cause	Action
	<p>The machine was started, but no cylinder was detected.</p>	<p>Make sure that the cylinder is mounted correctly. If the error remains, contact Struers Service.</p>
	<p>Reminder to do preventive maintenance service.</p>	<p>The set interval has expired.</p>
	<p>If you press <b>Enter</b> while a process is running, you can see the process parameters.</p>	<p>To remove the message, press <b>Enter</b> again.</p>
		<p>Turn CitoPress-5 off; then turn it back on again. If the error remains, contact Struers Service.</p>
		<p>Turn CitoPress-5 off; then turn it back on again. If the error remains, contact Struers Service.</p>
	<p>Voltage overload.</p>	<p>Turn CitoPress-5 off; then turn it back on again. If the error remains, contact Struers Service.</p>

Error	Cause	Action
		<p>Turn CitoPress-5 off, wait for 5 minutes, and then turn back on again.</p> <p>If the error remains, contact Struers Service.</p>
	<p>Insufficient or no cooling.</p>	<p>Check cooling water connections.</p> <p>If the error remains, contact Struers Service.</p>
	<p>This Error is displayed if the Hydro pump power current is over the limits (22 Amp).</p>	
	<p>The voltage of the electrical power supply is low at start of the process.</p>	<ol style="list-style-type: none"> <li>1. Switch off the machine.</li> <li>2. Switch on the machine.</li> </ol> <p>If the error remains, contact Struers Service.</p>
	<p>Reminder to change the hydraulic oil.</p>	<p>The set interval has expired.</p>
	<p>Reminder to clean under the lower ram.</p>	<p>The set interval has expired.</p>

Error	Cause	Action
	The mounting process has been stopped manually and the mentioned items may be hot.	<p>The top closure, mount and cylinder may be hot and must be allowed to cool.</p> <p>Before removing the mounting unit, ensure that it is cool enough to be handled.</p>
		<p>The Heating unit has failed.</p> <p>Contact Struers Service.</p>

## 12.2 Acoustic signals


Error	Cause	Action
Long beep.	The command cannot be accepted.	Use a correct command.

## 12.3 Machine performance

Error	Cause	Action
The process does not start.	The heating and cooling time settings are set to zero.	Enter the time settings you wish to use.
Insufficient compression.	The settings for force/pressure are incorrect.	Enter the force/pressure settings you wish to use.
	There is a defect in the pressure system.	Contact Struers Service.
Insufficient heating.	The setting for time or temperature for heating is incorrect.	Set the correct parameters.
	There is a defect in the heating system.	Contact Struers Service.

Error	Cause	Action
Insufficient cooling.	The setting for cooling time is incorrect.	Enter the time setting you wish to use.
	The water supply of cooling water is either closed or not opened sufficiently.	Open the tap.
	The filter at the water inlet is blocked.	Clean the filter.
	Deposits of lime scale have built up in the cooling coil.	See <a href="#">Decalcify the cooling coil ▶ 44</a> .
Cooling water drips beneath the machine.	There is a defect in the cooling system.	Contact Struers Service.
	The quick coupling is not mounted correctly.	Remove the cover from the mounting unit, and check the quick coupling connections.

Error	Cause	Action
The top closure does not start threading on the mounting cylinder.	The lower ram has not been lowered sufficiently to make room for the top closure.	Press the <b>Ram down</b> button to lower the ram.
	The top closure is not mounted correctly.	Press the top closure straight down and turn it counter-clockwise until you hear a click. To close: Press the top closure down and turn it clockwise until it is fully closed.
	The upper ram is too hot.	Let the top closure and the upper ram cool down. Reduce the mounting temperature.
	There is cured mounting material inside the mounting cylinder.	Clean the mounting cylinder with a brass wire brush.
	There is cured mounting material on the cylindrical surface of the upper ram.	Clean the ram with the scraper supplied.
	The top closure has been dropped on the floor/table, denting the edge of the ram.	Replace the upper ram.
	There is damage to the threaded connection in the top closure or to the upper ram.	Remove the upper ram from the top closure (see <a href="#">Remove the upper ram ▶ 28</a> ). Try the following procedures to identify the problem: <ul style="list-style-type: none"> <li>• Try to mount the top closure without the upper ram. If this is not possible, contact Struers Service.</li> <li>• Try to insert the disconnected upper ram into the mounting cylinder. If this is not possible, contact Struers Service.</li> </ul>
The top closure cannot be screwed down completely.	There is dirt in the threads on the top closure and the mounting cylinder.	Clean the threads. Use only a dry lubricant powder.
	The disc for thermal insulation, placed on the top of the upper ram, has a larger diameter than the upper ram.	Contact Struers Service.

Error	Cause	Action
The top closure cannot be loosened.	<p>There is some cured mounting material on the cylindrical surface of the top ram.</p> <p>There is dirt in the threads of the top closure.</p>	<p>Release the top closure:</p> <ul style="list-style-type: none"> <li>Move the lower ram up and down several times.</li> </ul> <p>If this does not help:</p> <ul style="list-style-type: none"> <li>Apply heating for 1 min.</li> </ul> <p>If this does not help:</p> <ul style="list-style-type: none"> <li>Complete a mounting process without force but with a heating and cooling time of about 15 min.</li> </ul> <p>If this does not help:</p> <ul style="list-style-type: none"> <li>Remove the 2 handles on the top closure.</li> <li>Remove the plastic foil from the top closure.</li> <li>Loosen the top closure with a fork spanner.</li> </ul>
The mount has sharp edges which damage the grinding/polishing surface.		<p>Replace the lower ram with a Chamfered ram (option).</p> 

## 13 Technical data

### 13.1 Technical data

<b>Mounting units (option)</b>	Diameter	25, 30, 40, 50 mm (1.25", 1.5")
<b>Compression</b>	Mounting pressure	<p>50-350 bar in steps of 25 bar/725-5076 psi in steps of 363 psi.</p> <p>For 50 mm cylinder in diameter, the max. pressure is limited to 250 bar/3625 psi</p>

<b>Heating (with pressure on)</b>	Temperature	120/150/180°C (248/302/356°F)
	Time	Variable between 1 and 15 minutes
<b>Cooling (with pressure on)</b>	Time	Variable between 1 and 15 minutes
	Rate	High: Full flow (4.8 L/min) Medium: 20% of full flow (0.96 L/min) Low: 3% of full flow (0.14 L/min)
<b>Software and electronics</b>	Controls	Touch pad
	Display	LCD 4.8" with LED backlight
<b>Safety standards</b>		See the Declaration of Conformity
<b>REACH</b>		For information about REACH, contact your local Struers office
<b>Operating environment</b>	Surrounding temperature	5-40°C (41-104°F)
	Humidity	< 85% RH non-condensing
<b>Power supply</b>	Voltage/frequency	200-240 V / 50-60 Hz (100-120 V / 50-60 Hz)
	Power supply	1 phase (N + L1 + PE) or 2 phase (L1 + L2 + PE)
	Current, idle	8 W
	Current, max.	1300 W @ 200-240 V (1300 W @ 100-120 V)
	Current	5.6 A @ 200-240 V (13 A @ 100-120 V)
	Residual Current Circuit Breaker (RCCB)	Type A, 30 mA (EN 50178/5.2.11.1) or better is required
<b>Water supply</b>	Pressure	1-6 bar (14.5-87 psi)
	Inlet	3/4"
	Outlet	10 mm (0.4")
<b>Noise level</b>	A-weighted sound emission pressure level at workstations	LpA = 61.5 dB(A) (measured value). Uncertainty K = 4 dB Measurements made in accordance with EN ISO 11202
<b>Vibration level</b>	Declared vibration emission	N/A



<b>Dimensions and weight</b>	Width	48 cm (19")
	Depth	56 cm (22")
	Height (with mounting unit and top closure)	45 cm (17.7")
	Weight	34 kg (75 lbs)

## 13.2 Diagrams for CitoPress-5

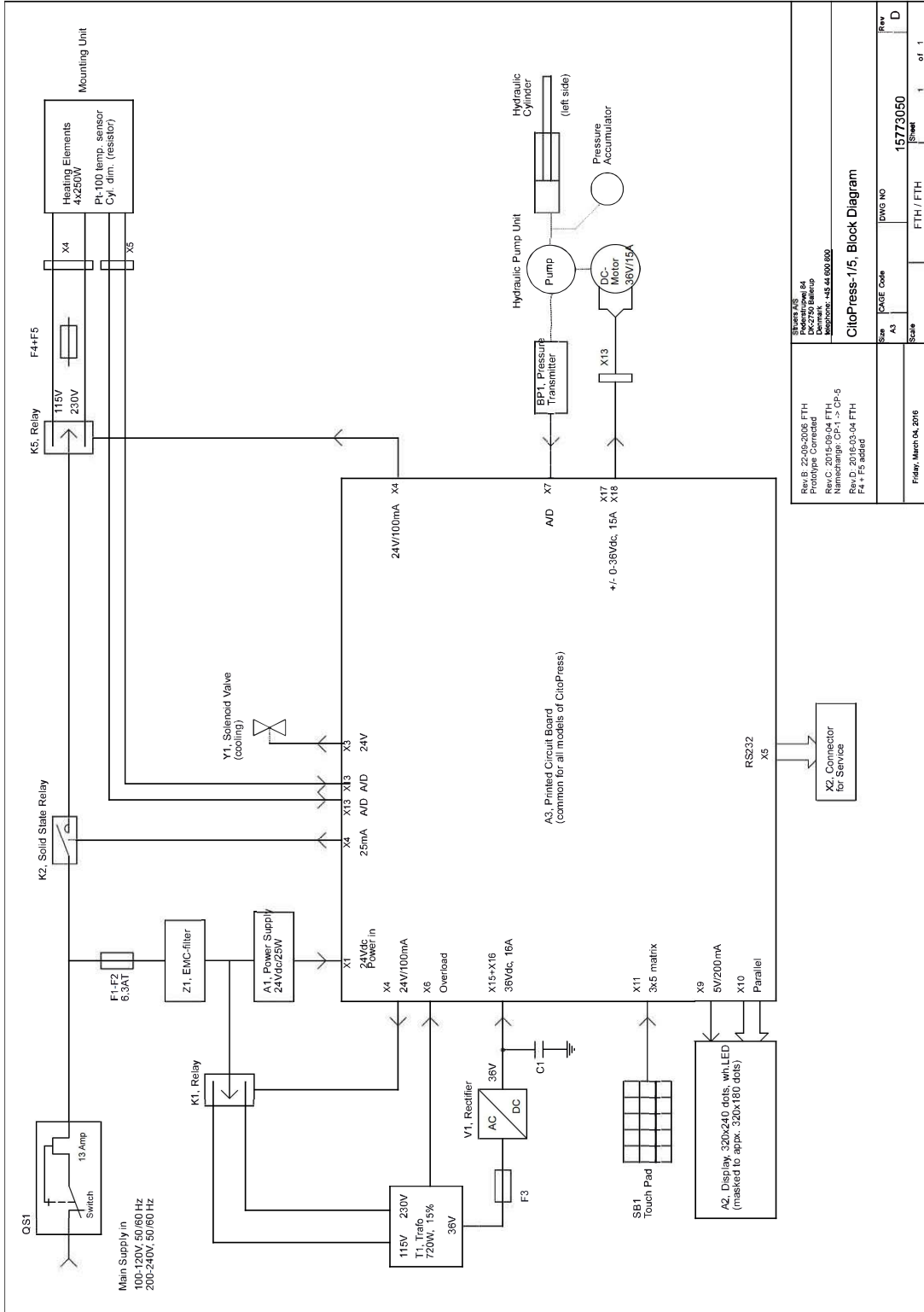


**Note**

If you want to view specific information in detail, see the online version of this manual.

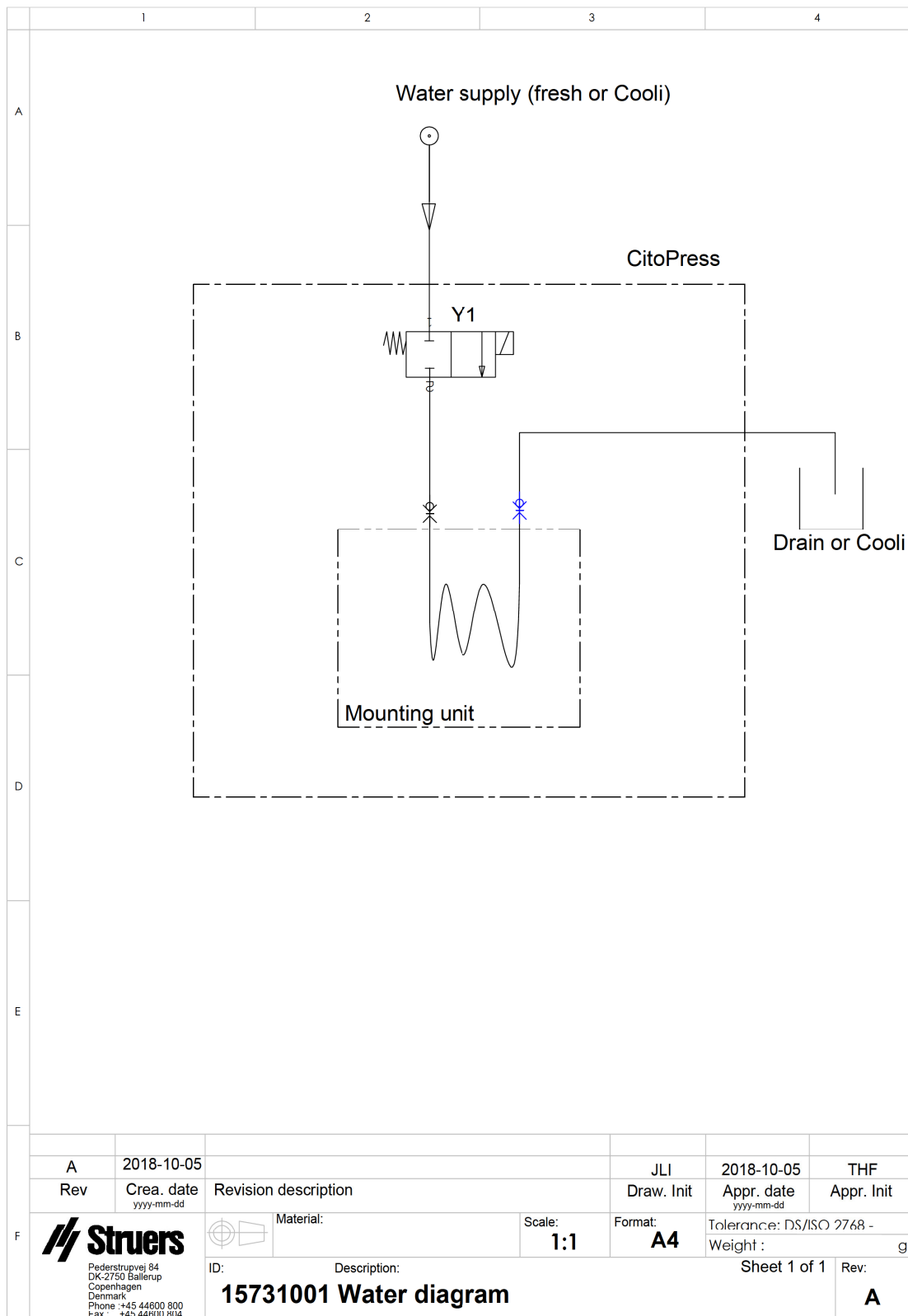
Title	No.
Block diagram	<a href="#">15773050</a> ▶ 58
Water diagram	<a href="#">15731001</a> ▶ 59
Hydraulic diagram	<a href="#">15731000</a> ▶ 60
Circuit diagram	See the diagram number on the name plate of the equipment, and contact Struers Service via <a href="http://Struers.com">Struers.com</a> .

15773050



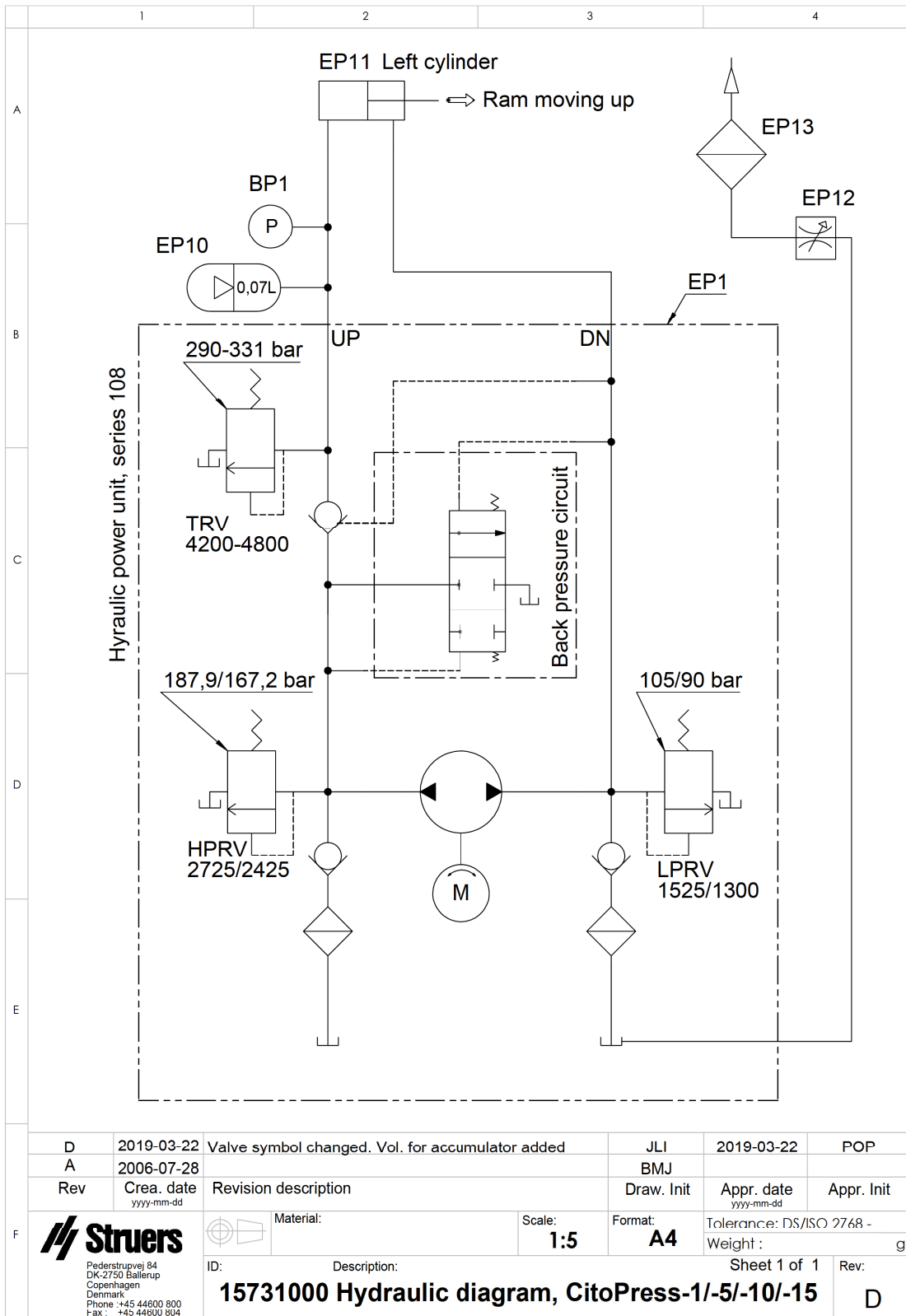
Revision 4 Prototype Corrected Rev.C, 2015-09-04 FTH Rev.D, 2016-03-04 FTH Rev.E, 2016-03-04 FTH F4 + F5 added		Revision 4 Prototype Corrected Rev.C, 2015-09-04 FTH Rev.D, 2016-03-04 FTH Rev.E, 2016-03-04 FTH F4 + F5 added	
Scale	A3	DWG NO	15773050
Scale		FTH / FTH	1 of 1
Rev	D		

15731001



	A	2018-10-05		JLI	2018-10-05	THF
	Rev	Crea. date yyyy-mm-dd	Revision description	Draw. Init	Appr. date yyyy-mm-dd	Appr. Init
F	 Pederstrupvej 84 DK-2750 Ballerup Copenhagen Denmark Phone :+45 44600 800 Fax : +45 44600 804		Material:	Scale: <b>1:1</b>	Format: <b>A4</b>	Tolerance: DS/ISO 2768 - Weight : g
	ID:		Description: <b>15731001 Water diagram</b>		Sheet 1 of 1	Rev: <b>A</b>

15731000



## 13.3 Legal and regulatory information

### FCC notice

This equipment has been tested and found to comply with the limits for a Class A digital device, pursuant to part 15 of the FCC Rules. These limits are designed to provide reasonable protection against harmful interference when the equipment is operated in a commercial environment. This equipment generates, uses and can radiate radio frequency energy and, if not installed and used in accordance with the instructions, may cause harmful interference to radio communications. Operation of this equipment in a residential area is likely to cause harmful interference in which case the user will be required to correct the interference at his own expense.

Pursuant to Part 15.21 of the FCC Rules, any changes or modifications to this product not expressly approved by Struers ApS could cause harmful radio interference and void the user's authority to operate the equipment.

## 14 Manufacturer

Struers ApS  
Pederstrupvej 84  
DK-2750 Ballerup, Denmark  
Telephone: +45 44 600 800  
Fax: +45 44 600 801  
[www.struers.com](http://www.struers.com)

### Responsibility of the manufacturer

The following restrictions should be observed, as violation of the restrictions may cause cancellation of Struers legal obligations.

The manufacturer assumes no responsibility for errors in the text and/or illustrations in this manual. The information in this manual is subject to change without notice. The manual may mention accessories or parts not included in the supplied version of the equipment.

The manufacturer is to be considered responsible for effects on safety, reliability, and performance of the equipment only if the equipment is used, serviced, and maintained in accordance with the instructions for use.



# Declaration of Conformity

Manufacturer	Struers ApS • Pederstrupvej 84 • DK-2750 Ballerup • Denmark
Name	CitoPress-5, CitoPress-15, CitoPress-30
Model	N/A
Function	Hot mounting press
Type	0577, 0573, and/or 0574
Cat. no.	CitoPress-5: 05776127 CitoPress-15: 05736127 CitoPress-30: 05746127
Serial no.	



Module H, according to global approach



We declare that the product mentioned is in conformity with the following legislation, directives and standards:

<b>2006/42/EC</b>	EN ISO 12100:2010, EN 60204-1:2018, EN 60204-1-2018/Corr.:2020
<b>2011/65/EU</b>	EN 63000:2018
<b>2014/30/EU</b>	EN 61000-3-2:2014, EN 61000-3-3:2013, EN 61000-6-1:2007, EN 61000-6-3:2007, EN 61000-6-3-A1:2011, EN 61000-6-3-A1-AC:2012
<b>Additional standards</b>	NFPA 79, FCC 47 CFR Part 15 Subpart B

Authorized to compile technical file/  
Authorized signatory

Date: [Release date]

en For translations see  
bg За преводи вижте  
cs Překlady viz  
da Se oversættelser på  
de Übersetzungen finden Sie unter  
el Για μεταφράσεις, ανατρέξτε στη διεύθυνση  
es Para ver las traducciones consulte  
et Tõlked leiata aadressilt  
fi Katso käännökset osoitteesta  
fr Pour les traductions, voir  
hr Za prijevode idite na  
hu A fordítások itt érhetők el  
it Per le traduzioni consultare  
ja 翻訳については、  
lt Vertimai patalpinti  
lv Tulkojumus skatīt  
nl Voor vertalingen zie  
no For oversættelser se  
pl Aby znaleźć tłumaczenia, sprawdź  
pt Consulte as traduções disponíveis em  
ro Pentru traduceri, consultați  
se För översättningar besök  
sk Preklady sú dostupné na stránke  
sl Za prevode si oglejte  
tr Çeviriler için bkz  
zh 翻译见

[www.struers.com/Library](http://www.struers.com/Library)